

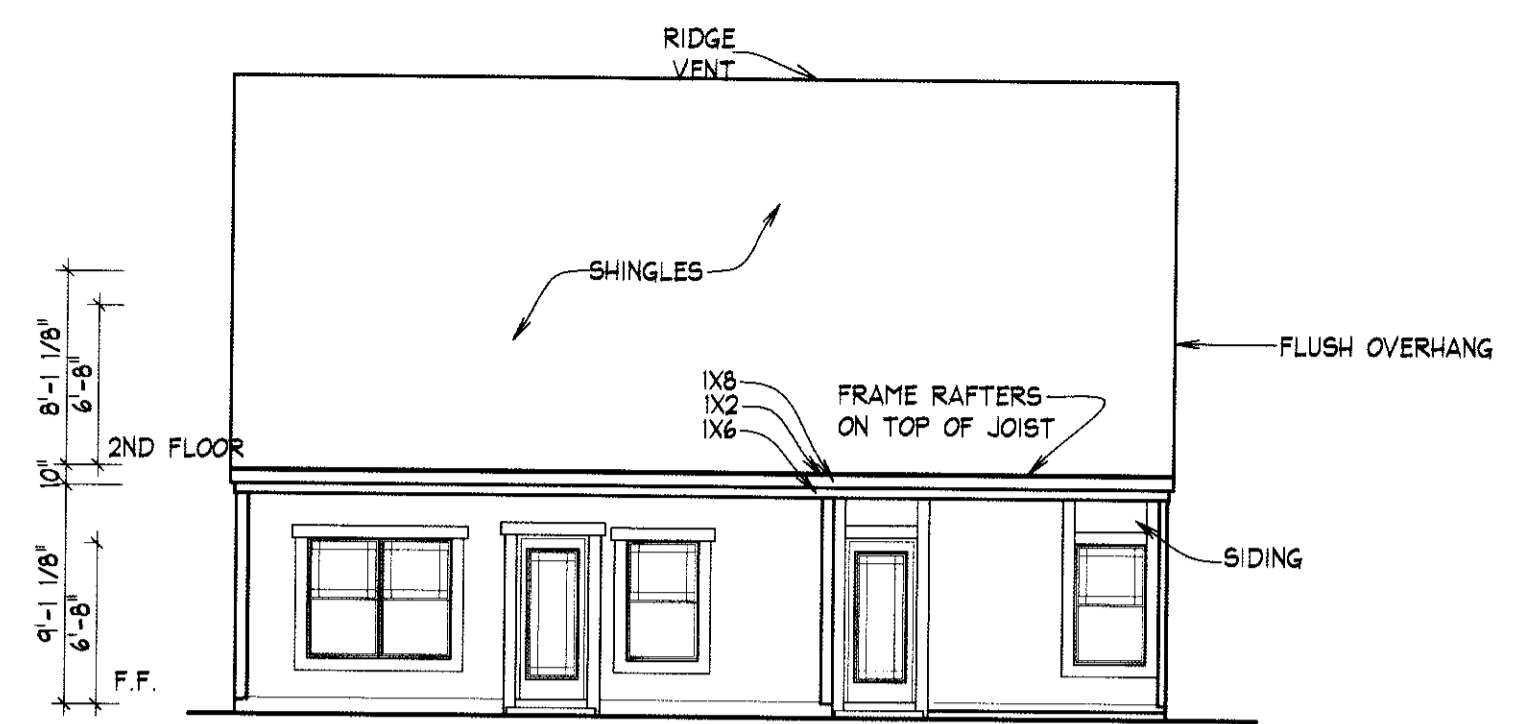
REVISIONS
4-3-08

While every attempt has been made in the preparation of this plan to avoid errors, omissions, and mistakes, the designer can not guarantee against human error. The contractor and/or client shall verify all conditions, dimensions, details and specifications and be responsible for same. The designer will not be liable for human error after construction begins.

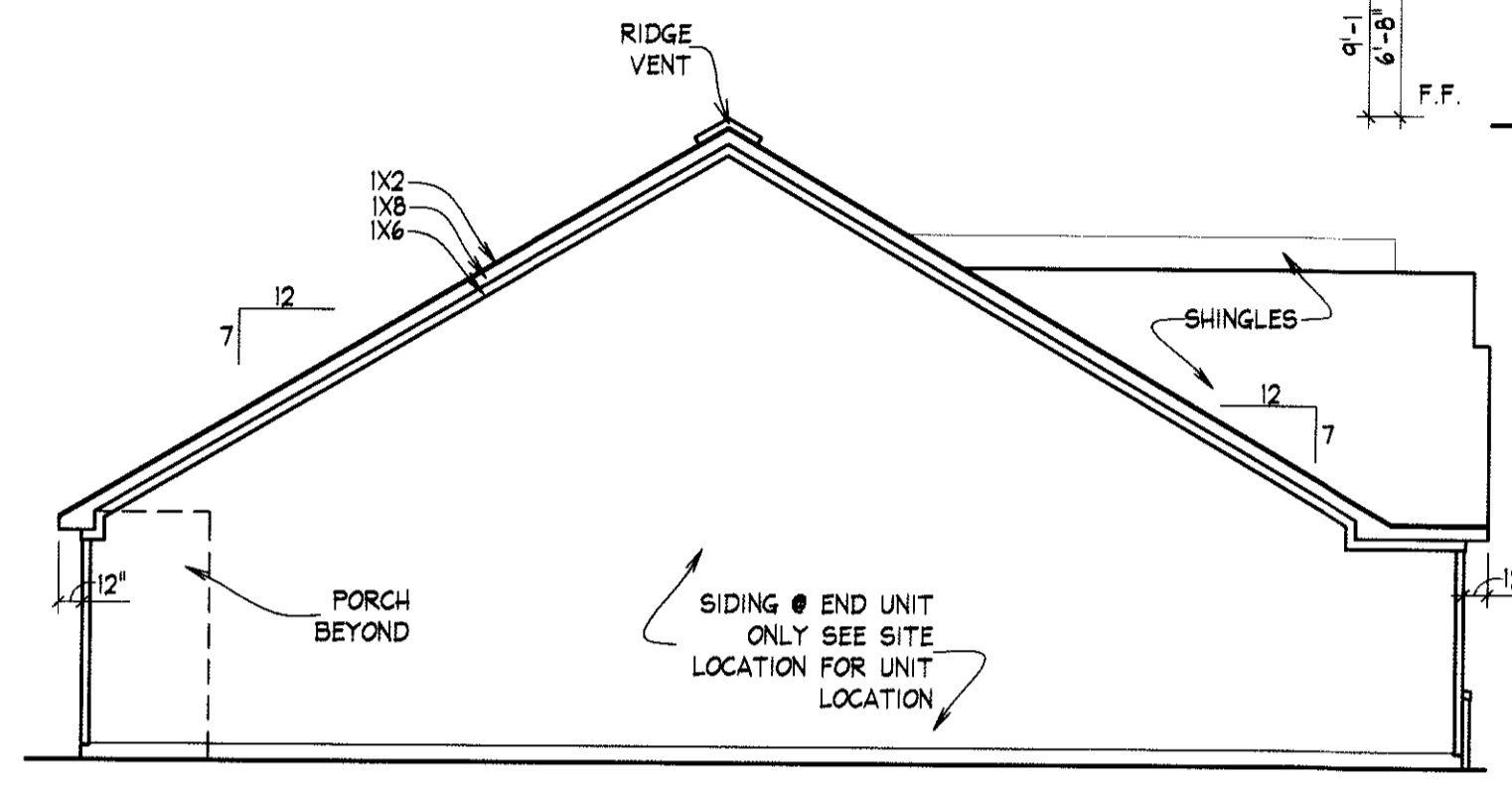
CREATIVE HOME DESIGNS, INC.
 OF MIDDLE TENNESSEE
 5123 Virginia Way, Suite B-11
 Brentwood, TN 37027 (615) 370-4481
 745 S. Church St. Suite 230
 Murfreesboro, TN 37130 (615) 890-2855

It is the intent of these documents to provide sufficient information to the experienced builder to construct the project and to be directly responsible to verify the accuracy and compliance with regulatory agencies prior to construction, and their requirements must take precedence over those shown.

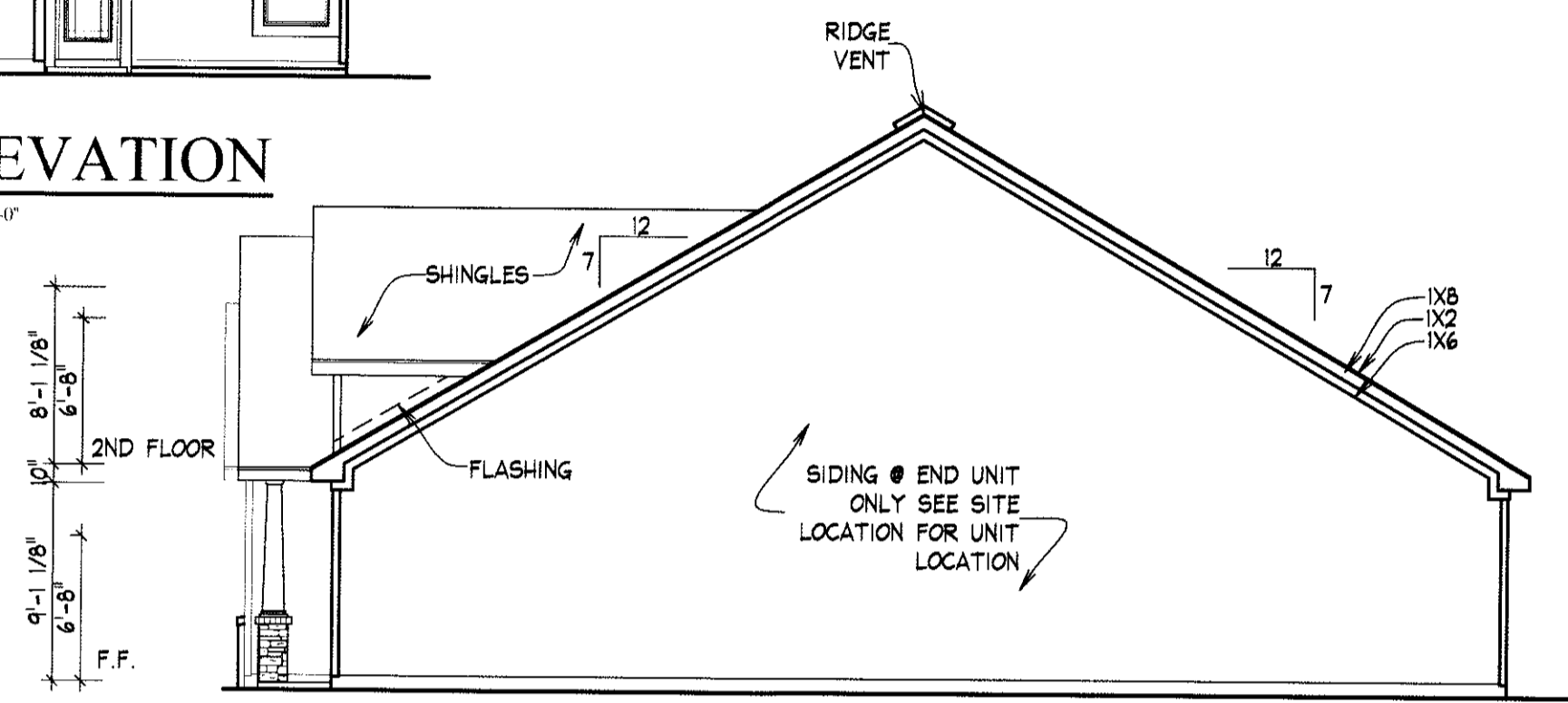
DATE	7-11-07
DRAWN	D.C./B.M.
JOB NO.	
LOCH	
SHEET	4



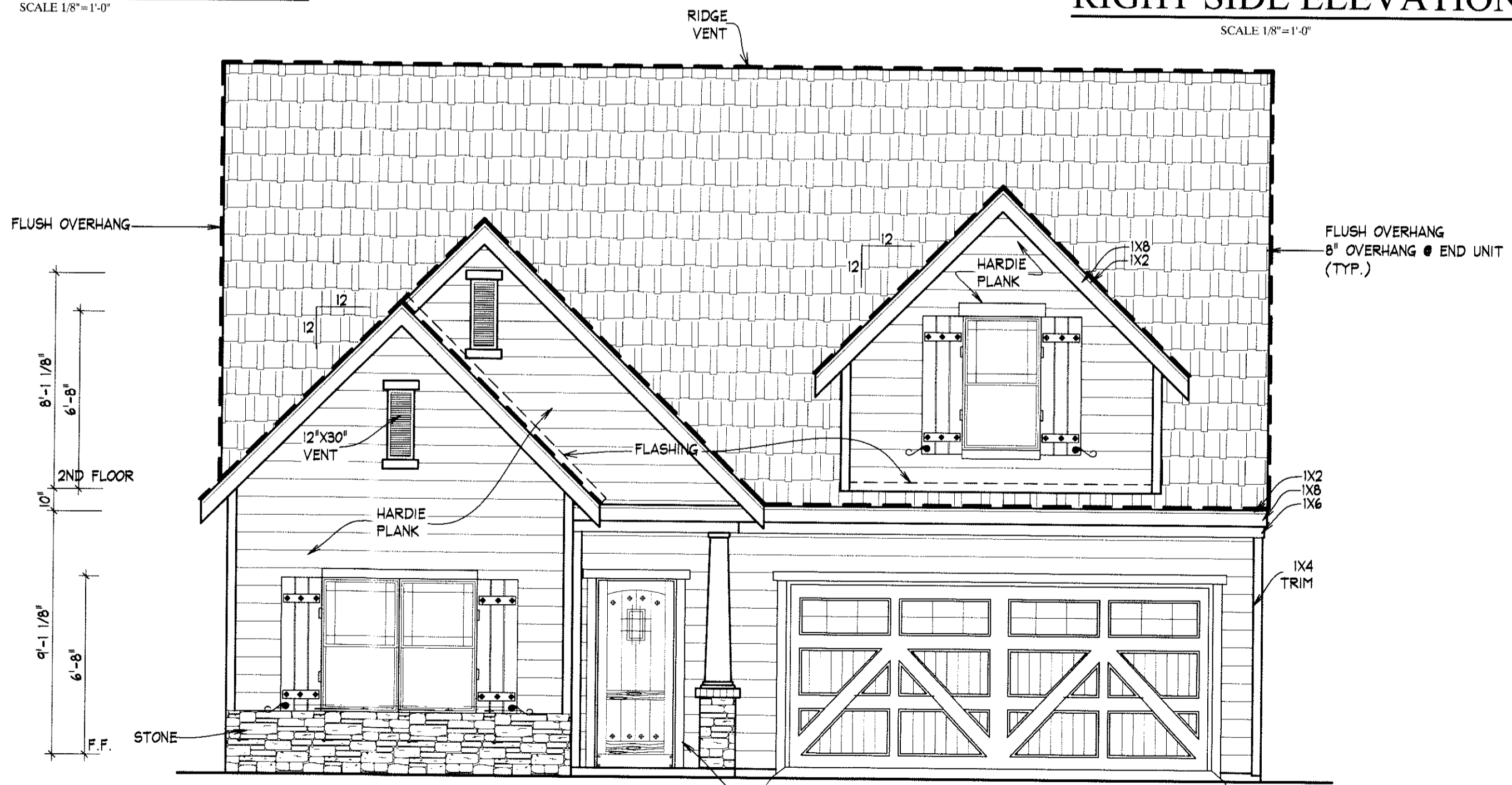
REAR ELEVATION
 SCALE 1/8"=1'-0"



LEFT SIDE ELEVATION
 SCALE 1/8"=1'-0"



RIGHT SIDE ELEVATION
 SCALE 1/8"=1'-0"



FRONT ELEVATION "C"
 SCALE 1/4"=1'-0"

WEST LAKE VILLAS
THE COVINGTON

TOM LOCHBIBLER

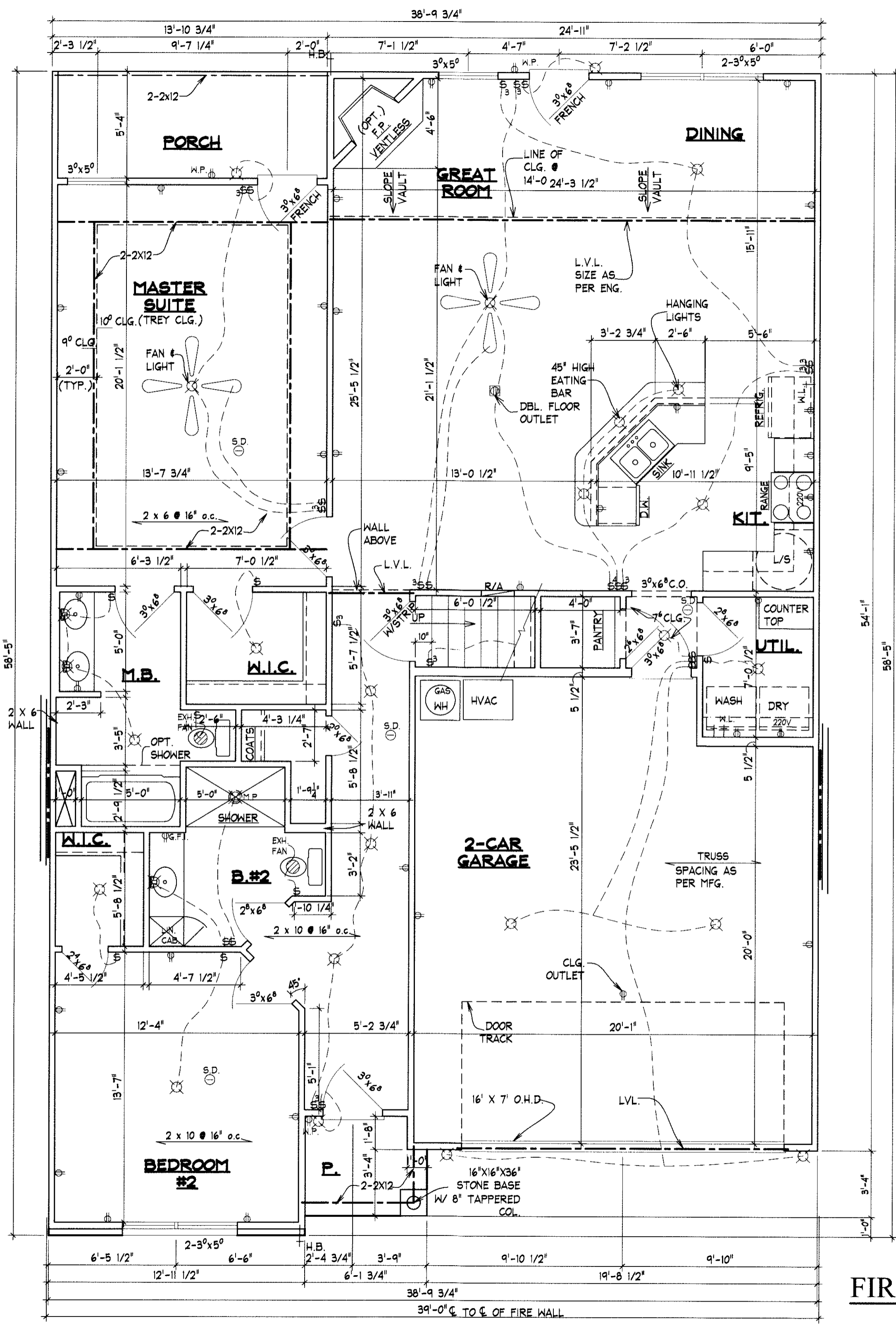
REVISIONS
4-3-08

While every attempt has been made in the preparation of this plan to avoid errors, omissions, and mistakes, the designer can not guarantee against human error. The contractor and/or client shall verify all conditions, dimensions, details and specifications and be responsible for same. The designer will not be liable for human error after construction begins.

CREATIVE HOME DESIGNS, INC.
 OF MIDDLE TENNESSEE
 5123 Virginia Way Suite B-11
 Brentwood, TN 37027 (615) 370-4481
 745 S. Church St. Suite 230
 Murfreesboro TN 37130 (615) 890-2855

It is the intent of these documents to provide sufficient information to the experienced builder to construct the project shown; it is therefore his responsibility to verify accuracy and compliance with all regulatory agencies prior to construction, and their requirements must take precedence over those shown.

DATE	7-11-07
DRAWN	D.C./B.M.
JOB NO.	
LOCH	
SHEET	2



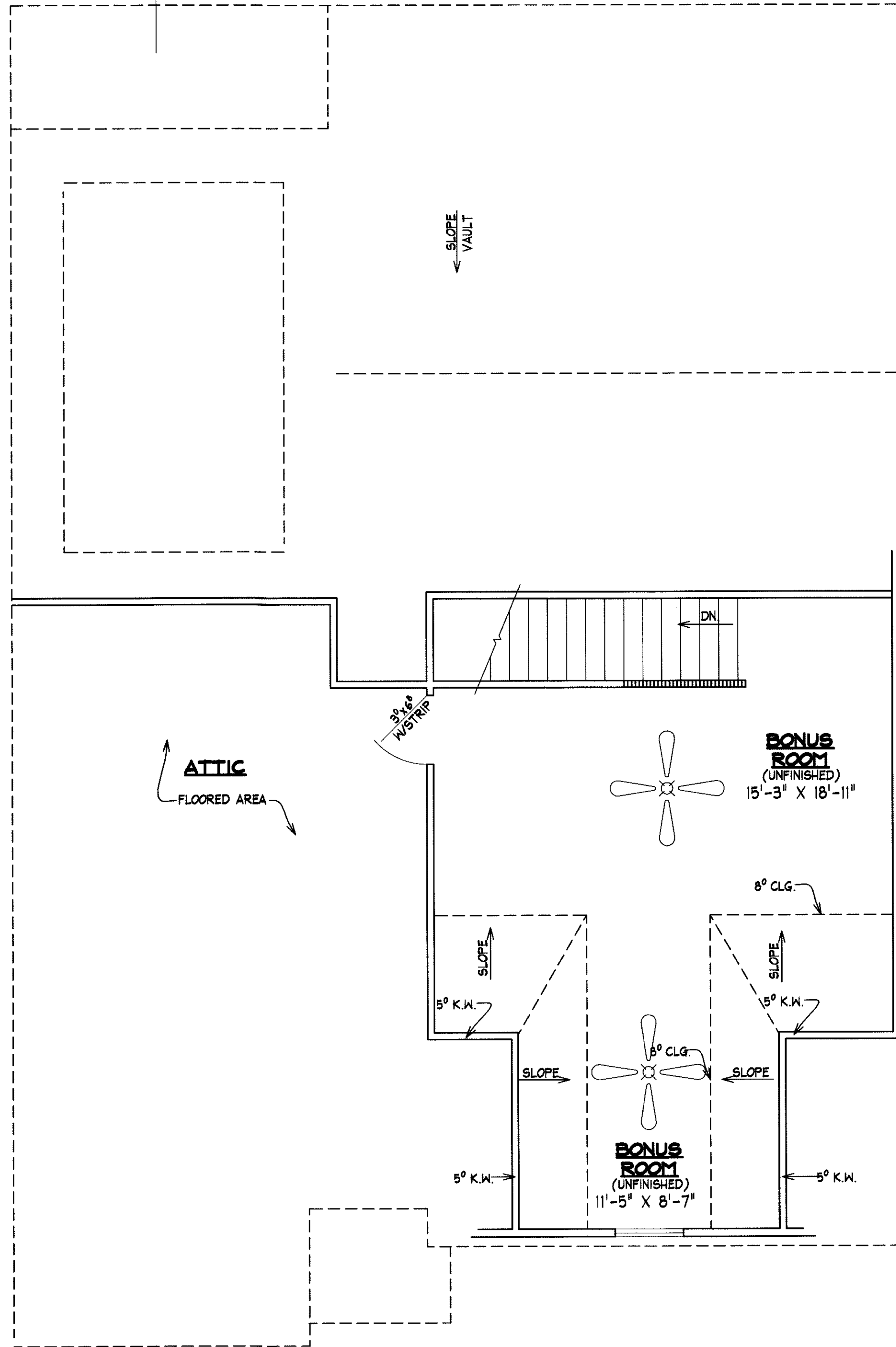
ELECTRICAL LEGEND	
	RECESSED LIGHT
	SURFACE LIGHT
	DBL. OUTLET
	220V. OUTLET
	FLOOR DBL. OUTLET
	PHONE
	SWITCH
	3 WAY
	SMOKE DETECTOR
	FLOODLIGHT
	EXHAUST FAN
	CEILING FAN
	CABLE TELEVISION
	2'X4' FLOOR. LIGHT
	FLOOR. STRIP FIXT.
	ELECTRICAL WIRING
	JUNCTION BOX
	PHOTO CELL
	MINI HALOGEN (NICHE)

- GENERAL FRAMING NOTES:**
1. ALL EXTERIOR WALLS ARE 4" UNLESS OTHERWISE NOTED.
 2. ALL INTERIOR WALLS ARE 3 1/2" UNLESS OTHERWISE NOTED.
 3. ALLOW 4" FOR ALL BRICK VENEER
 4. 9'-0" CLGS. DN. & 8'-0" CLGS. UP.
 5. WHEN VAULTED CEILING IS USED, COL. WALL TO BE 9'-0" HIGH W/ PLANT SHELF ABOVE.
 6. MOVE C.O. @ GREAT ROOM TO ENTRY HALL WHEN VAULTED CEILING IS USED.
 7. REMOVE DOOR TO STAIR & CHANGE WALL TO RAILING IF BONUS IS FINISHED.
 8. SEE BUILDER/ENG. FOR FINISHED SLAB ELEV. ADJUST FIREWALL DETAIL AS PER SLAB ELEV.

APPROX. AREA	
FIRST FLOOR LIVING AREA	1614
TOTAL HEATED	1614
(UNFINISHED) SECOND FLOOR LIVING	454
GARAGE	468
COVERED PORCHES	104
TOTAL COVERED	2640

FIRST FLOOR PLAN "C"
 SCALE 1/4" = 1'-0"
WEST LAKE VILLAS
THE COVINGTON

TOM LOCHMILLER

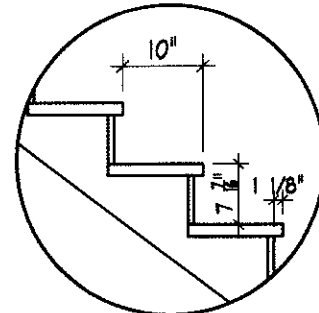


SECOND FLOOR PLAN

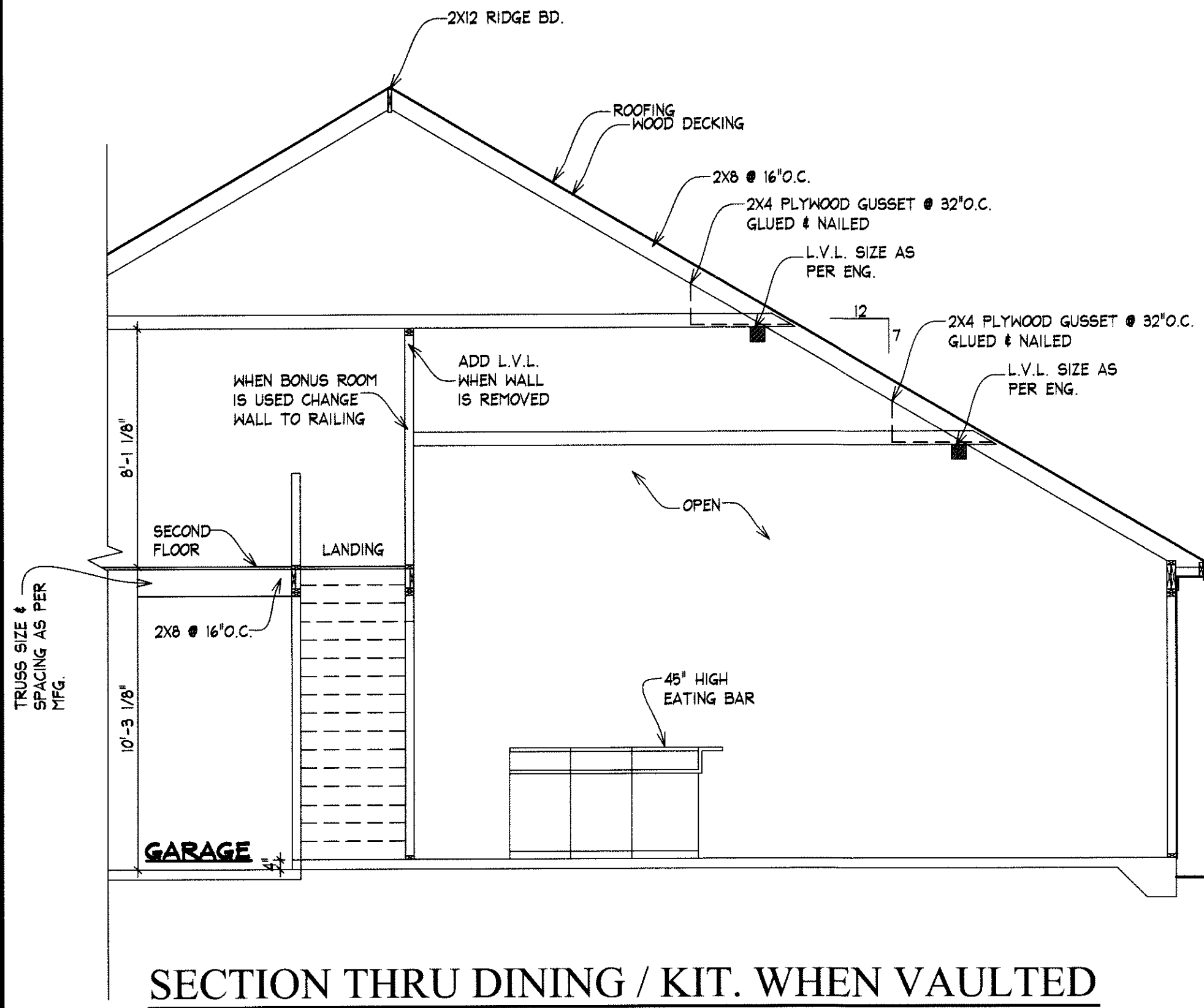
SCALE 1/4"=1'-0"

**WEST LAKE VILLAS
THE COVINGTON**

STAIR INFORMATION
 16 RISERS @ 7 7/16"
 15 TREADS @ 10" W/ 1 1/8" NOSING

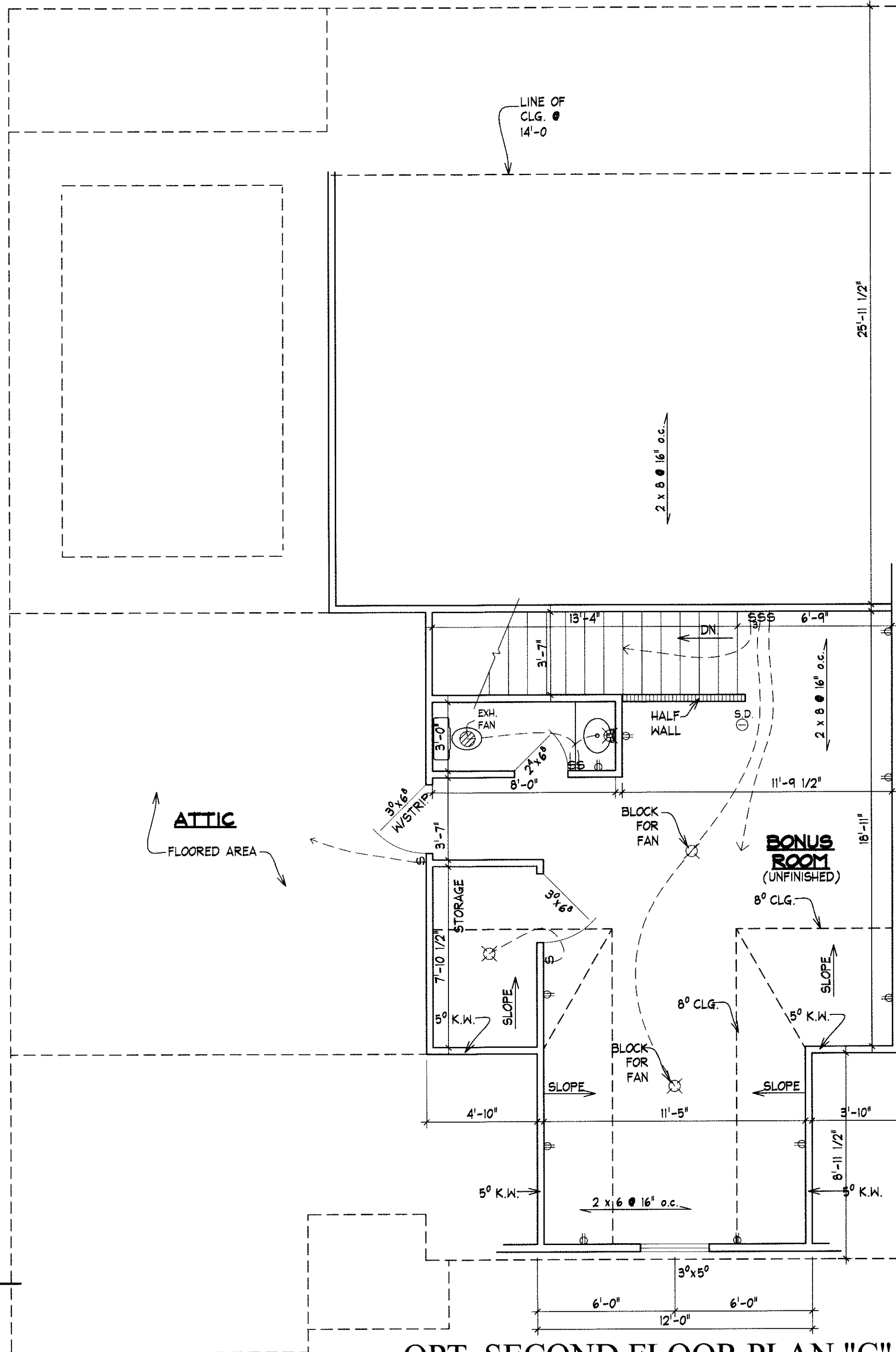


STAIR DETAIL
 N.T.S.



SECTION THRU DINING / KIT. WHEN VAULTED

SCALE 1/4"=1'-0"



OPT. SECOND FLOOR PLAN "C"

SCALE 1/4"=1'-0"

**WEST LAKE VILLAS
 THE COVINGTON**

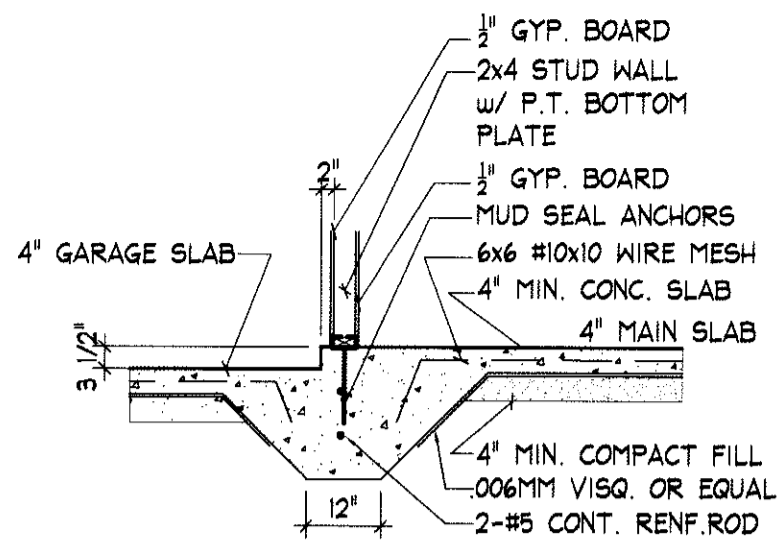
REVISIONS
4-3-08

While every attempt has been made in the preparation of this plan to avoid errors, omissions, and mistakes, the designer can not guarantee against human error. The contractor and/or other parties involved in the construction of the project are specifically identified as responsible for same. The designer will not be liable for human error after construction begins.

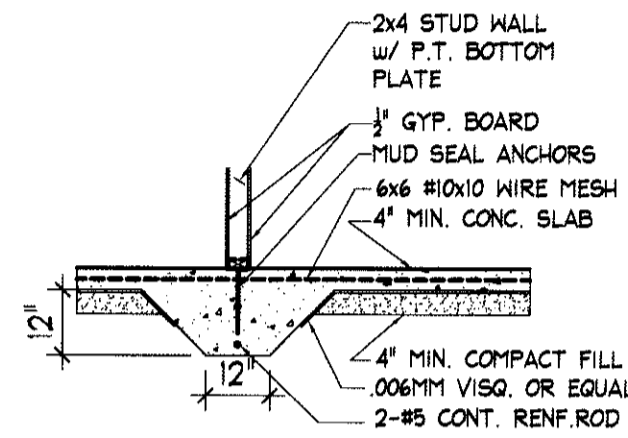
CREATIVE HOME DESIGNS, INC.
 OF MIDDLE TENNESSEE
 5123 Virginia Way Suite B-11
 745 S. Church St. Suite 230
 Murfreesboro TN 37130 (615) 890-3855
 Brentwood, TN 37027 (615) 370-4481

It is the intent of these documents to provide sufficient information to the experienced builder to construct the project shown; it is therefore his responsibility to verify accuracy and compliance with all regulatory agencies prior to construction; and their requirements must take precedence over those shown.

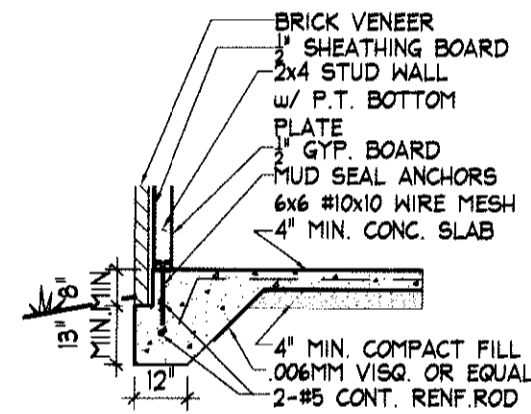
DATE	7-11-07
DRAWN	D.C./B.M.
JOB NO.	
LOCH	
SHEET	3A



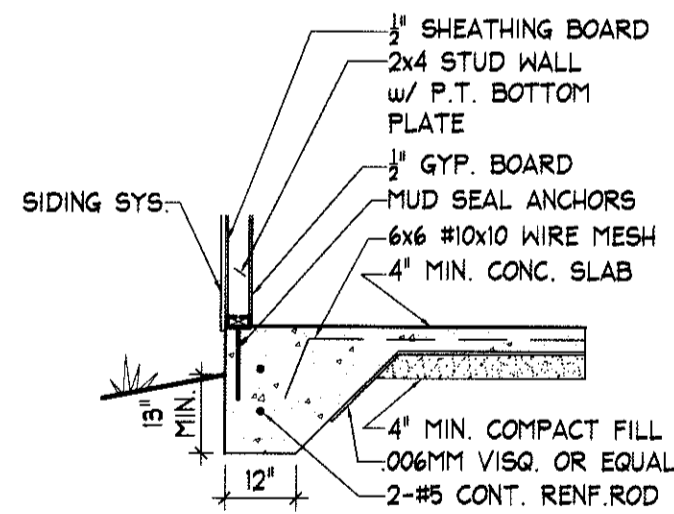
SECTION - M
SCALE: NONE



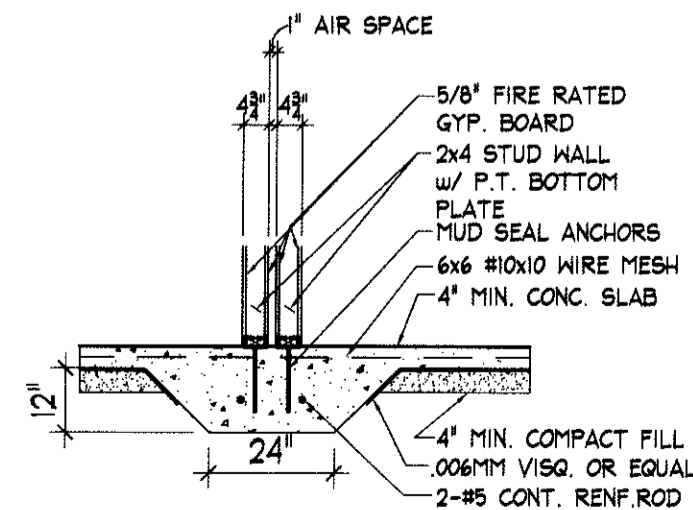
SECTION - E
SCALE: NONE



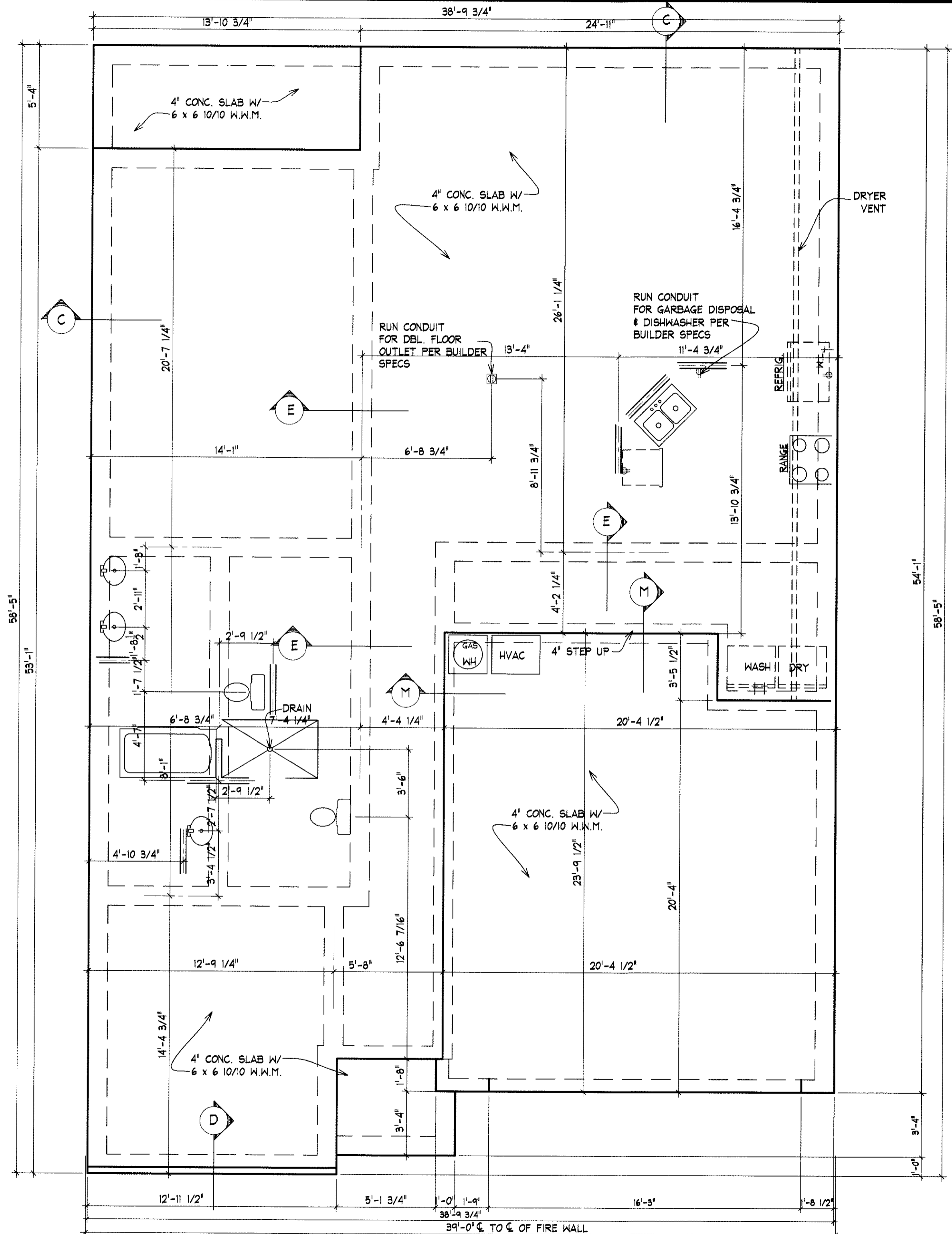
SECTION - D
SCALE: NONE



SECTION - C
SCALE: NONE



(TYP.) @ FIREWALL
SCALE: NONE



FOUNDATION PLAN "C"

SCALE: 1/4" = 1'-0"

**WEST LAKE VILLAS
THE COVINGTON**

REVISIONS
4-3-08

While every attempt has been made in the preparation of this plan to avoid errors, omissions, and mistakes, the designer can not guarantee against human error. The contractor and/or client shall verify all conditions, dimensions, details and specifications and be responsible for same. The designer will not be liable for human error after construction begins.

CREATIVE HOME DESIGNS, INC.
OF MIDDLE TENNESSEE
5123 Virginia Way Suite B-11
745 S. Church St. Suite 230
Murfreesboro TN 37130 (615) 890-2855
Brentwood, TN 37027 (615) 370-4481

It is the intent of these documents to provide sufficient information to the experienced builder to construct the project shown. It is therefore the responsibility to verify compliance with all regulatory agencies prior to construction and their requirements must take precedence over those shown.

DATE: 7-11-07
DRAWN: D.C./B.M.
JOB NO.:
LOCH
SHEET
1

TOM LOCHBUEHLER

